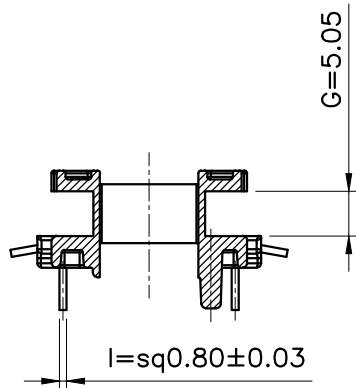
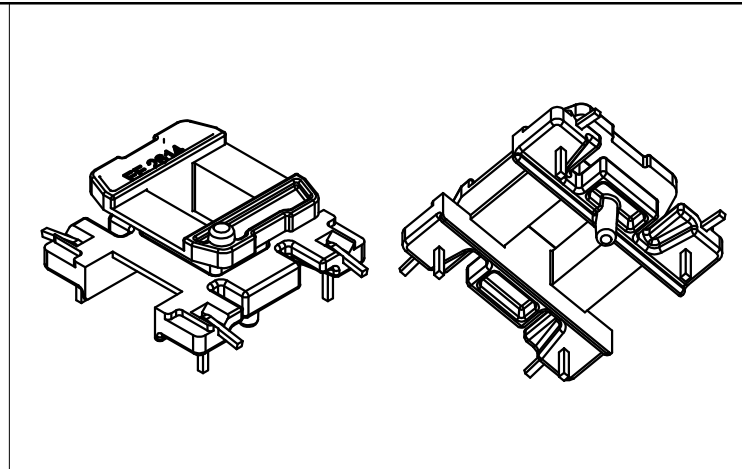
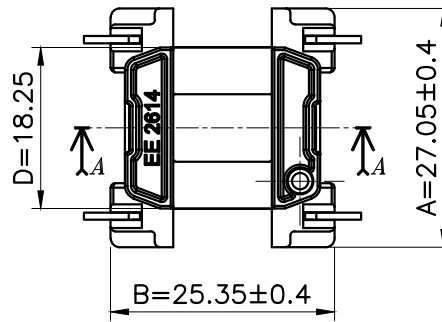
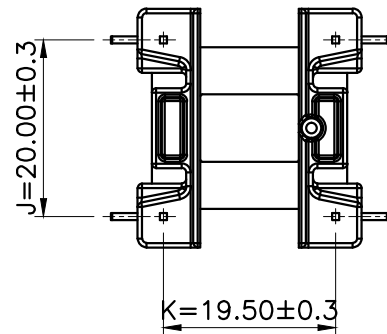
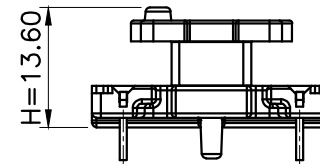
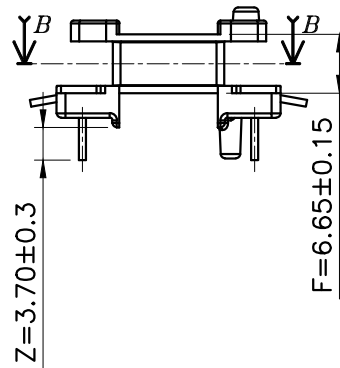


SECTION B-B



SECTION A-A



▲							
▲							
▲							
MARK	REVISION NOTE			DATE	DRAWN	CHECKED	APPROVED
DRAWN	CHECKED	APPROVED	MATERIAL : PHENOL	UL REC. : UL94V-0	THIRD ANGLE PROJ.	SCALE : 1/1	
B M, Won	G Y, Lim	J B, Lim	Z : PIN LENGTH (According to customer's request)	DATE : 11.08.23	TOLERANCE : ±0.2 (Unless otherwise specified)		UNIT : m/m
주식회사 대흥보빈 DAE HEUNG BOBBIN CO., LTD			TITLE EE 26*14 "V" (4P) (A)		DWG NO DH-110908-2086-00		